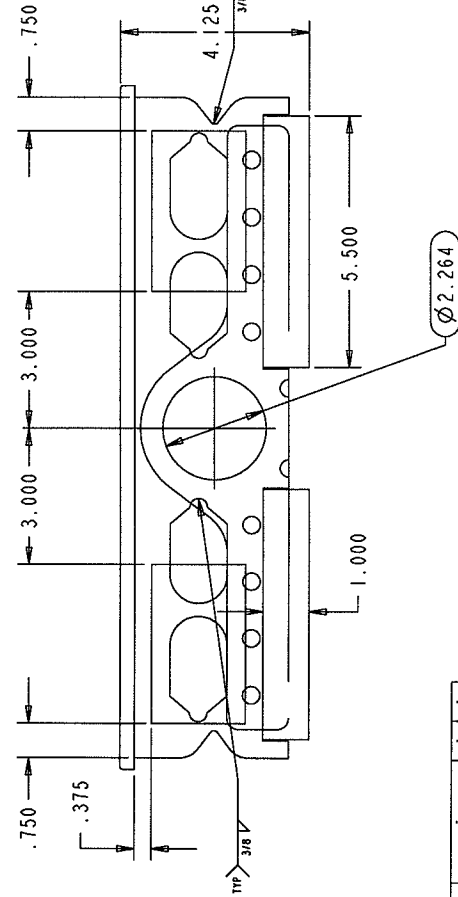
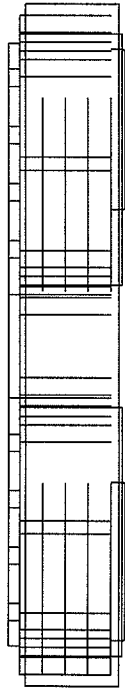
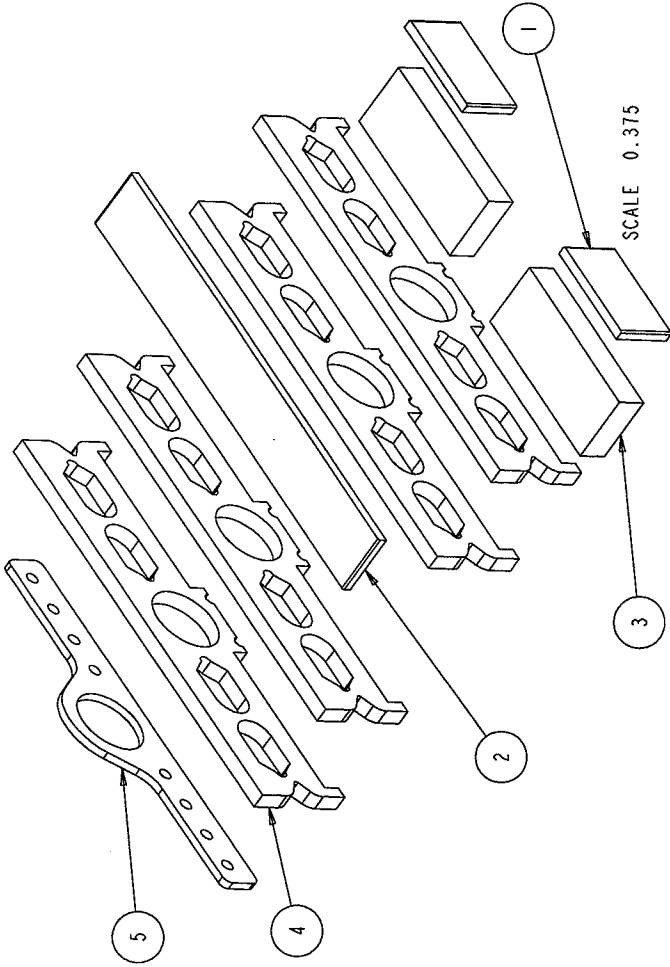
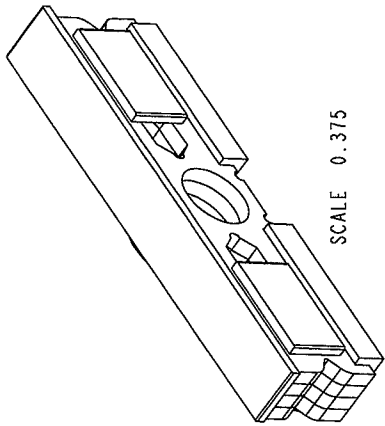


DRAWING SIZE C
 REVISION ECO # 4F-0879

REF	PART No.	DESCRIPTION	QTY
1	003-3902	BEARING PAD - BLADE SHOE	2
2	003-4210	BEARING PAD - BLADE SHOE	1
3	021-4085	PLASTIC WEAR BAR, - BLADE SHOE	2
4	234-2098	PLATE, - BLADE SHOE	4
5	234-2099	STOP PLATE, - BLADE SHOE	1



028-0481

REV.	BY	DATE	DESCRIPTION

SEE BILL OF MAT'L

REVISIONS
 DESIGNER: [blank]
 CHECKED: [blank]
 DATE: 16-Dec-02
 SCALE: 0.500

NOTICE:
 THIS DRAWING IS THE PROPERTY OF
 HEIL ENVIRONMENTAL INDUSTRIES, LTD.
 AND IS NOT TO BE REPRODUCED OR
 TRANSMITTED IN ANY FORM OR BY ANY
 MEANS, ELECTRONIC OR MECHANICAL,
 INCLUDING PHOTOCOPYING, RECORDING,
 OR BY ANY INFORMATION STORAGE AND
 RETRIEVAL SYSTEM, WITHOUT THE
 WRITTEN PERMISSION OF HEIL ENVIRONMENTAL
 INDUSTRIES, LTD.

HEIL ENVIRONMENTAL INDUSTRIES, LTD.
 A SCORPION INDUSTRIES COMPANY

TITLE: BLADE SHOE ASSEMBLY
 POWERTRAK 1000

DRAWN BY: BRM
 PART NO: 028-0481